

Visage 770™

Installation Requirements (4 Sided With Door)

The Visage 770 Screen System is ideal for commercial use, housing development, bring sites, parks and open spaces, to conceal recycling containers in areas where large capacity is high priority. The Visage Screen System creates a secure, aesthetically pleasing recycling centre and large polycarbonate graphics can be added to encourage recycling.

It **is not** recommended that the Visage is installed directly onto tarmac or paving.

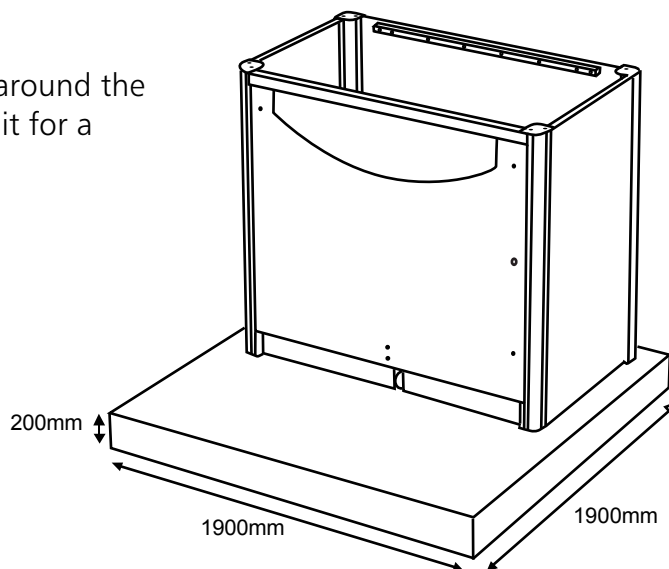
For all four sided Visage siting, a concrete base is required to produce a level, flat and secure foundation. Below are the concrete base and fixing requirements for the Visage 770:

Dimensions for the concrete base must be a minimum of:

200mm thickness of concrete
1900mm in width
1900mm in depth

This will allow adequate space for fixing bolts around the Modus and enough distance in front of the unit for a smooth door operation.

- **4 holes** to be drilled for ground fixing bolts (**holes = 10mm X 150mm** see installation instructions).
- **All holes** must be between **100mm** and **150mm** away from the edge of the concrete to provide a secure ground fixing.



We recommend that a risk assessment is undertaken to identify an appropriate location for your waste collection and recycling units. In order to reduce risk, some organisations decide to place the units **a minimum of 5 meters away from buildings**. Any potential risk can be further reduced by maintaining a regime of regularly emptying the unit.

• A planned maintenance schedule or regular inspection is recommended, replacing components as necessary.

• Replacement components are available direct from GLASDON.

• GLASDON cannot be held responsible for claims arising from incorrect installation, unauthorised modifications or misuse of the product.

© Copyright 2012

Glasdon UK Ltd reserve the right to alter specifications without prior notice.

 **Glasdon**
Glasdon U.K. Limited

Preston New Road
Blackpool
Lancashire
FY4 4UL

Tel: 01253 600410

Fax: 01253 792558

e-mail: sales@glasdon-uk.co.uk

web: www.glasdon.com